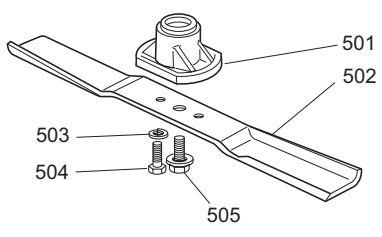
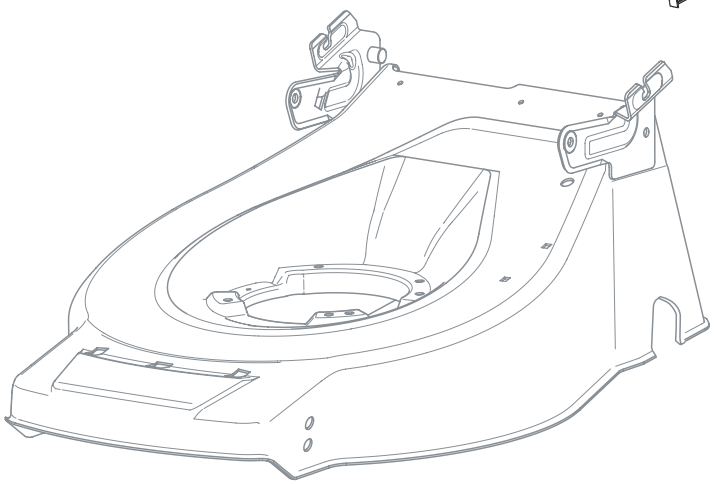
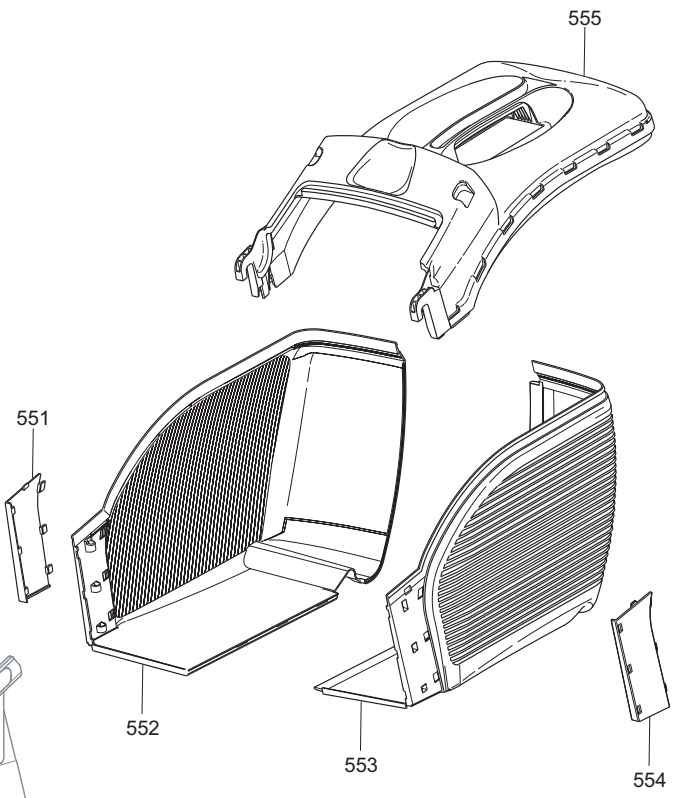
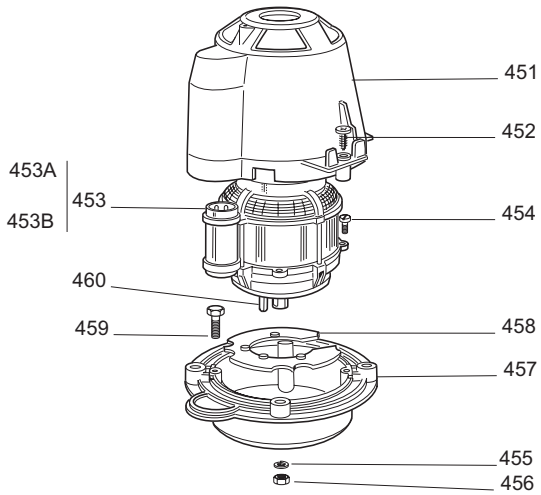
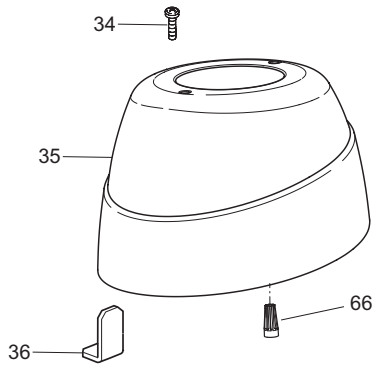


B108

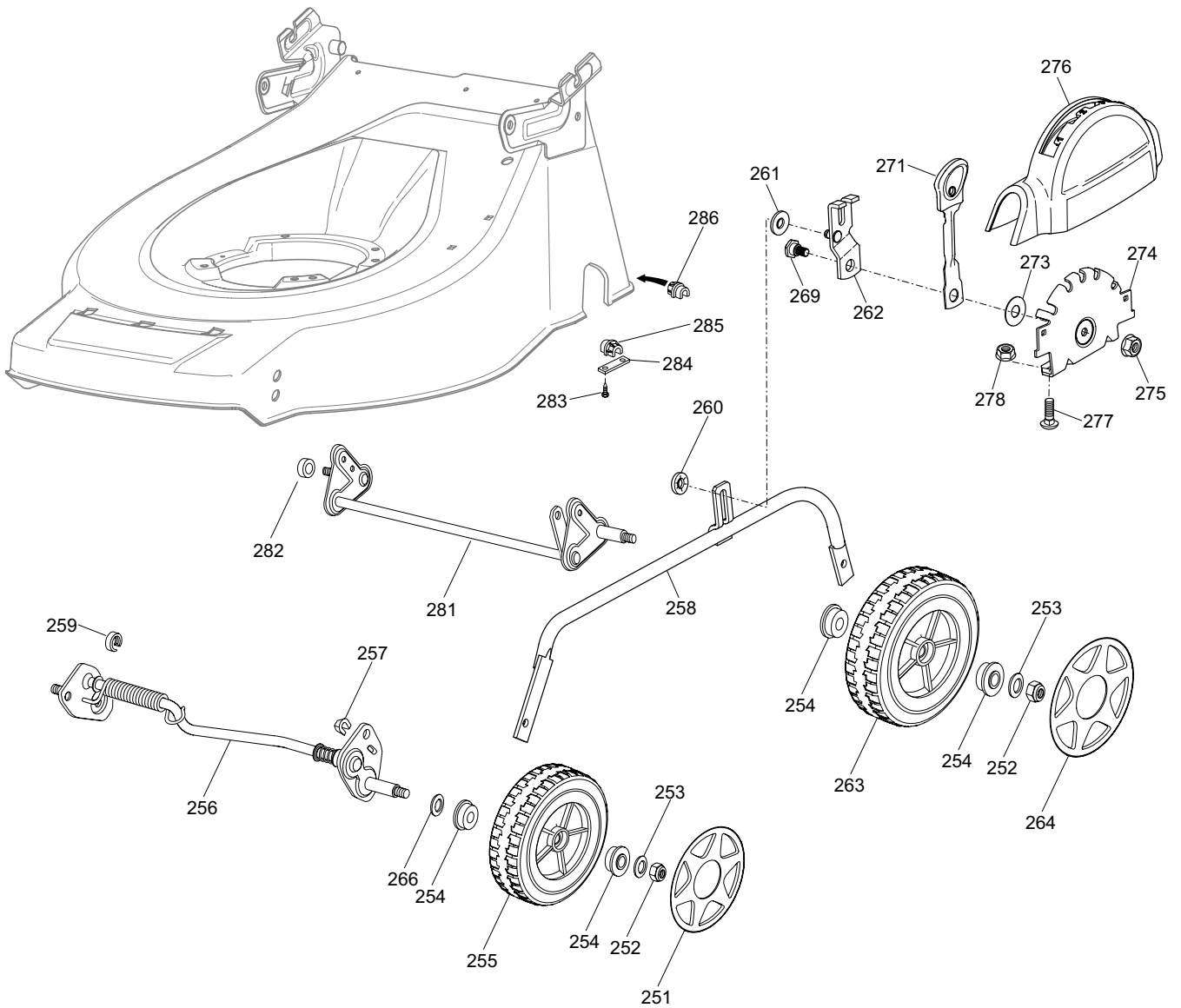


Ausgabe Issue 2005- 1		Bild Nr Picture No B108		VARIOLUX 48 EC CHASSIE HOLM		VARIOLUX 48 EC CHASSIS HANDLE		Seite Page 34	
Pos. Fig.	Anzahl/Quantity				Artikel Nr. Part No	Bezeichnung	Description	Satz Kit	Anmerkung Notes
X	1	1			1136-1753-01	Gehäuse.....	Deck.....		
	2	3			1136-0615-01	Schraube .....	Screw.....		
	3	1			1136-1329-01	Schutz .....	Protection .....		
	6	1			1136-0665-01	Gummiensatz.....	Rubber insert .....		
X	7	1			1136-1694-01	Haube .....	Cover .....		
	8	2			1117-3226-01	Schraube .....	Screw.....		
	9	3			1136-1458-01	Schraube .....	Screw.....		
	10	2			9675-0012-02	Verriegelungsscheibe .....	Locking washer.....		
X	11	1			1136-1731-01	Stange .....	Rod .....		
X	12	1			1136-1723-01	Feder- links .....	Spring- LH.....		
X	13	1			1136-1724-01	Feder- rechts.....	Spring- RH .....		
X	14	1			1136-1698-01	Halter .....	Support.....		
X	15	1			1136-1736-01	Klappe .....	Rear flap .....		
	16	2			1136-0061-01	Propfen.....	Cap.....		
X	17	1			1136-1761-01	Holm- Unterteil .....	Handle- lower .....		
X	18	2			1136-1765-01	Holmrohr .....	Handle tube .....		
X	19	1			1136-1764-01	Holm- Oberteil .....	Handle- upper.....		
X	20	1			1136-1716-01	Handgriff .....	Handgrip .....		
X	21	2			1136-1733-01	Bolzen.....	Pin .....		
	22	2			9675-0012-02	Verriegelungsscheibe .....	Locking washer.....		
X	23	4			1136-1755-01	Hebel .....	Handle lever .....		
X	24	4			1136-1738-01	Scheibe.....	Washer.....		
	25	4			1136-0309-01	Scheibe.....	Washer.....		
X	26	4			1136-1721-01	Schloßrad .....	Locking knob .....		
	27	4			9799-0831-02	Mutter .....	Nut .....		
X	28	2			1136-1745-01	Gummistopfen.....	Cap.....		
X	29	2			1136-1709-01	Ringmutter .....	Ring nut .....		
X	30	2			1136-1708-01	Griff .....	Knob .....		
X	31	2			1136-1681-01	Schraube .....	Screw.....		
X	32	1			1136-1720-01	Griff- untere .....	Knob- lower.....		
X	33	1			1136-1719-01	Griff- obere .....	Knob- upper .....		
	37	2			9836-9225-12	Schraube .....	Screw.....		
X	38	1			1136-1769-01	Schalter .....	Dead hand switch.....		
X	38	1			1136-1770-01	Schalterq .....	Dead hand switch.....		die Schweiz
X	39	1			1136-1714-01	Gummistopfen.....	Cap.....		
	40	1			1136-0662-01	Kabelbefestigung .....	Fairlead .....		
	41	3			1136-0660-01	Bowdenzughalter .....	Anchor clamp.....		
	51	4			9836-9225-12	Schraube .....	Screw.....		
X	58	3			1136-1692-01	Deckel.....	Cap.....		
X	64	1			1136-1713-01	Schutz .....	Protection .....		
X	65	1			1136-1711-01	Schutz .....	Protection .....		
	67	1			1136-0661-01	Kabelbefestigung .....	Fairlead .....		
	231	1			1136-1338-01	Deflektor.....	Deflector .....		





Ausgabe Issue 2005- 1		Bild Nr Picture No B110		VARIOLUX 48 EC MESSER GRASFANGKORB		VARIOLUX 48 EC BLADE GRASS COLLECTOR		Seite Page 36	
Pos. Fig.	Anzahl/Quantity				Artikel Nr. Part No	Bezeichnung	Description	Satz Kit	Anmerkung Notes
X	34	2			1136-1683-01	Schraube .....	Screw .....		
X	35	1			1136-1691-01	Haube .....	Cover .....		
X	36	2			1136-1735-01	Platte .....	Plate .....		
X	66	2			1136-1704-01	Distanz .....	Spacer .....		
X	451	1			1136-1741-01	Haubenhalter .....	Cover support .....		
X	452	4			1136-1682-01	Schraube .....	Screw .....		
X	453	1			1136-1687-01	El. Motor .....	El. motor .....		Inkl. 453A - 453B
X	453A	1			1136-1689-01	• Lüfter .....	• Fan .....		
	453B	1			1136-0626-01	• Kondensator .....	• Condensor .....		16 µF
	454	4			9836-9635-12	Schraube .....	Screw .....		
	455	4			9683-0030-02	Scheibe .....	Lock washer .....		
	456	4			9799-0831-02	Mutter .....	Nut .....		
X	457	1			1136-1707-01	Flansch .....	Flange .....		
X	458	1			1136-1739-01	Lüftungsschirm .....	Ventilation screen .....		
	459	4			1136-0617-01	Schraube .....	Screw .....		
X	460	1			1136-1677-01	Keil .....	Key .....		
X	501	1			1136-1725-01	Messerhalter .....	Hub .....		
X	502	1			1111-9741-01	Messer .....	Blade .....		
	503	2			9683-0030-02	Scheibe .....	Lock washer .....		
	504	2			9997-0820-16	Schraube .....	Screw .....		
	505	1			1136-0752-01	Messerbolzen .....	Blade bolt .....		
X	551	1			1136-1729-01	Profil- rechts .....	Profile- RH .....		
X	552	1			1136-1727-01	Graskorb- rechts .....	Grassbox lower- RH .....		
X	553	1			1136-1728-01	Graskorb- links .....	Grassbox lower- LH .....		
X	554	1			1136-1730-01	Profil- links .....	Profile- LH .....		
X	555	1			1136-1726-01	Graskorb- Oberteil .....	Grassbox- upper .....		





Ausgabe Issue 2005- 1		Bild Nr Picture No B107		VARIOLUX 48 EC RADAUFHÄNGUNG		VARIOLUX 48 EC WHEEL SUSPENSION		Seite Page 38	
Pos. Fig.	Anzahl/Quantity			Artikel Nr. Part No	Bezeichnung	Description	Satz Kit	Anmerkung Notes	
X	251	2		1136-1701-01	Radkappe- grau .....	Hub cap- grey .....			
	252	4		9747-0831-02	Mutter .....	Lock nut .....			
	253	4		9699-0028-02	Scheibe .....	Flat washer .....			
	254	8		1136-0655-01	Lager .....	Bearing .....			
	255	2		1136-1520-01	Rad .....	Wheel .....			
	256	1		1136-1357-01	Radachse- vorne .....	Wheel axle- front .....			
	257	2		1136-0009-01	Schließplatte .....	Lock plate .....			
X	258	1		1136-1759-01	Höhenverstellstange .....	Height adjust rod .....			
	259	1		1136-0658-01	Distanzring .....	Spacer .....			
	260	1		9675-0009-02	Verriegelungsscheibe .....	Starlock .....			
	261	1		1136-0006-01	Federscheibe .....	Elastic washer .....			
X	262	1		1136-1757-01	Halter .....	Attachment .....			
	263	2		1136-0772-01	Rad .....	Wheel .....			
X	264	2		1136-1702-01	Radkappe- grau .....	Hub cap- grey .....			
	266	4		1136-0609-01	Elastische Scheibe .....	Elastic washer .....			
X	269	1		1136-1732-01	Schulter schraube .....	Shoulder bolt .....			
X	271	1		1136-1756-01	Höhenverstellhebel .....	Height adjust lever .....			
	273	1		1136-0089-01	Scheibe .....	Washer .....			
X	274	1		1136-1740-01	Sektor .....	Height adjust sector .....			
	275	1		9747-0831-02	Mutter .....	Lock nut .....			
X	276	1		1136-1693-01	Deckel .....	Cover .....			
	277	2		9898-0616-16	Schraube .....	Screw .....			
	278	2		9799-0631-02	Mutter .....	Nut .....			
	281	1		1136-0729-01	Hinterradachse .....	Rear wheel axle .....			
	282	1		1136-0657-01	Distanzring .....	Spacer .....			
	283	4		9847-8119-16	Schraube .....	Screw .....			
	284	2		1136-0681-01	Platte .....	Plate .....			
	285	1		1136-0636-01	Buchse- links .....	Bush- LH .....			
	286	1		1136-0635-01	Buchse- rechts .....	Bush- RH .....			